

DETECTION AND SAFETY DEVICES PHOTOCELLS



PUPILLA.B

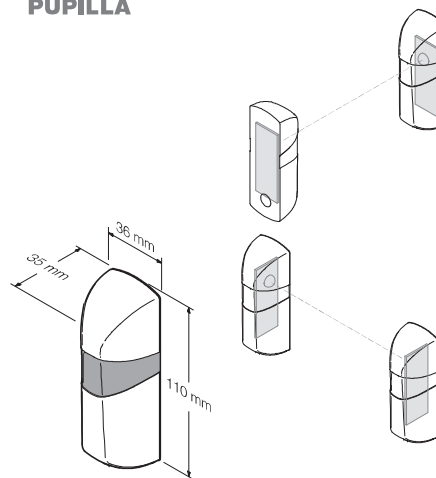
Pair of externally fitted photocells, turning through 220° C. Photovoltaic panel to charge transmitter battery. Presence of led with diagnostic function



PUPILLA

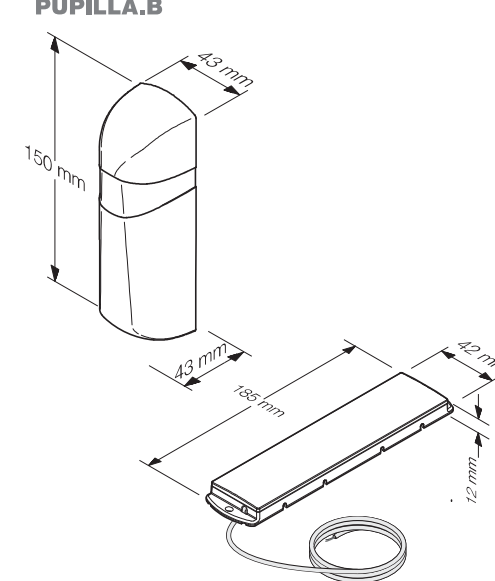
24Vac/dc synchronize surface mounting photocell with 180° rotation beam. (110X36X31mm) It is possible to synchronised up to 4 couple of photocells. A led makes the centring of the beam easy and fast

PUPILLA



Rotation through 180° allows the alignment of the photocells irrespective of the way they are fixed to the base

PUPILLA.B



PUPILLA.F

Pair of fixed photocells for external fitting. Compact dimensions 110 x 36 mm, height 31 mm. 24 Vdc power supply. A led makes the centring of the beam easy and fast



FTC.S

24Vac/dc synchronize surface mounting photocell. It is possible to synchronised up to 4 couple of photocells. They can be fitted also on aluminium columns.



SC.P30QIS

24Vac/dc synchronize recess fitting photocell. It is possible to synchronised up to 4 couple of photocells.

ACCESSORIES



SC.PD

Plastic container for recess SC.P30QIS. 2 pcs packing.



SF

Lateral support for FTC.S photocells. 2 pcs packing.